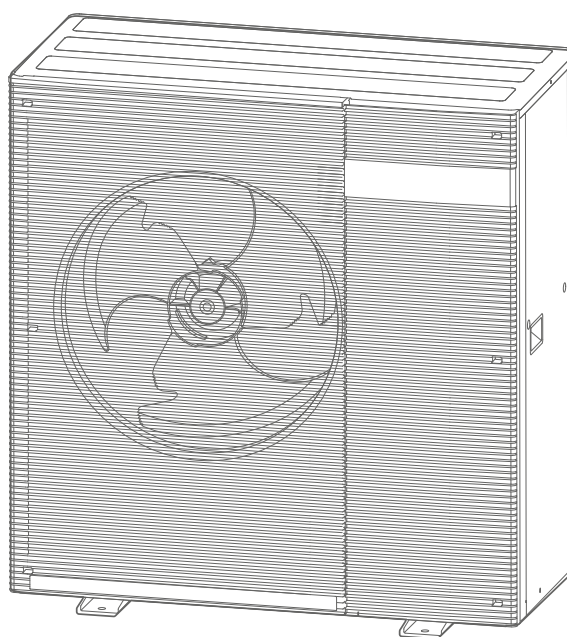


QUICK INSTAL

ML

## UE MONOBLOC R290 ATLANTIC

Monobloc Air to Water Heat Pump

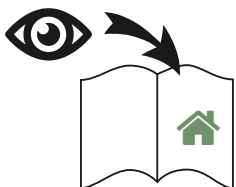
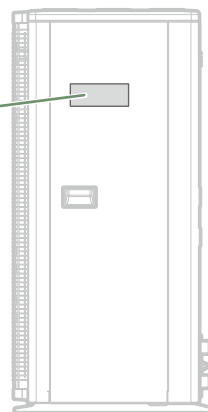
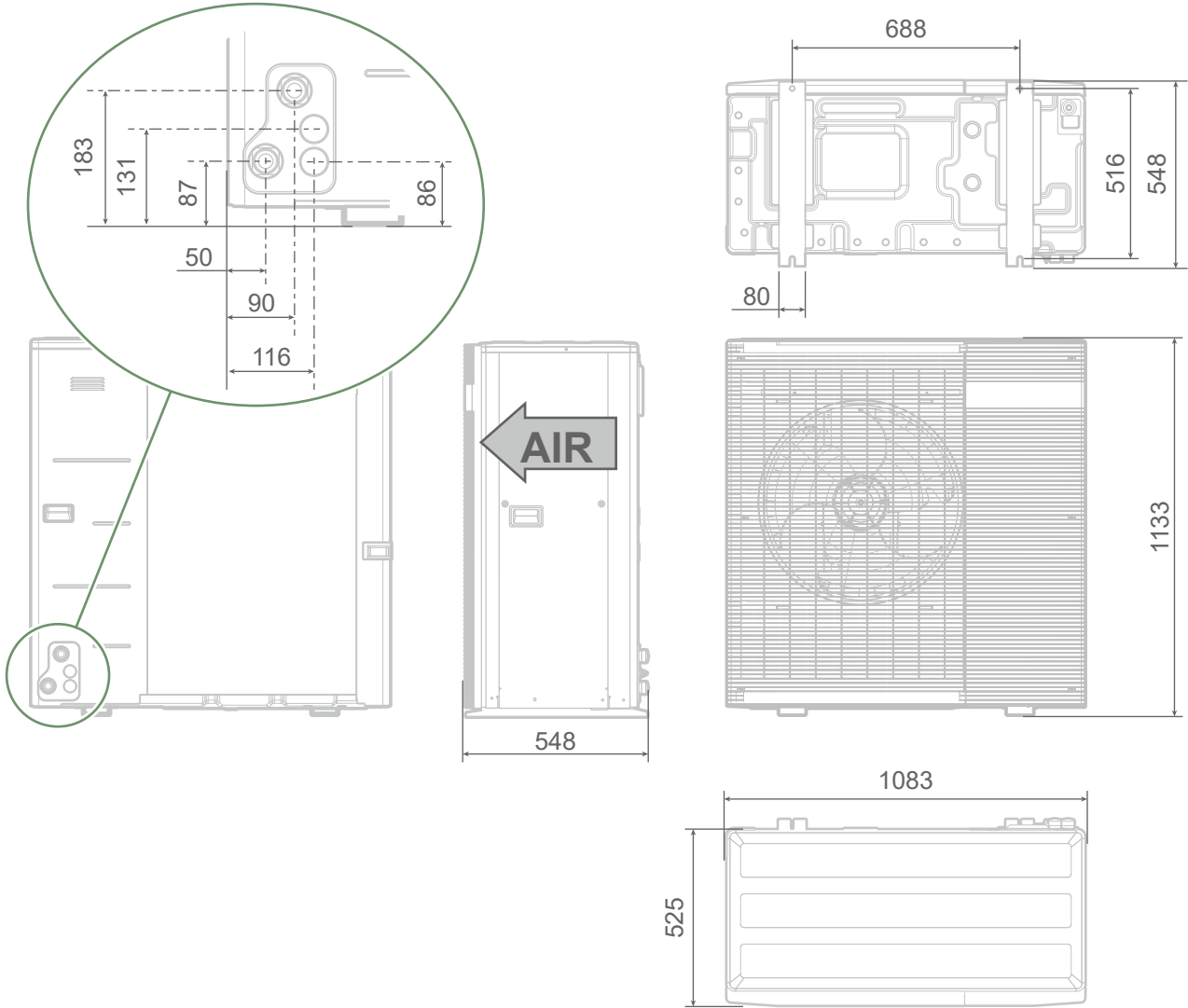


### Outdoor unit

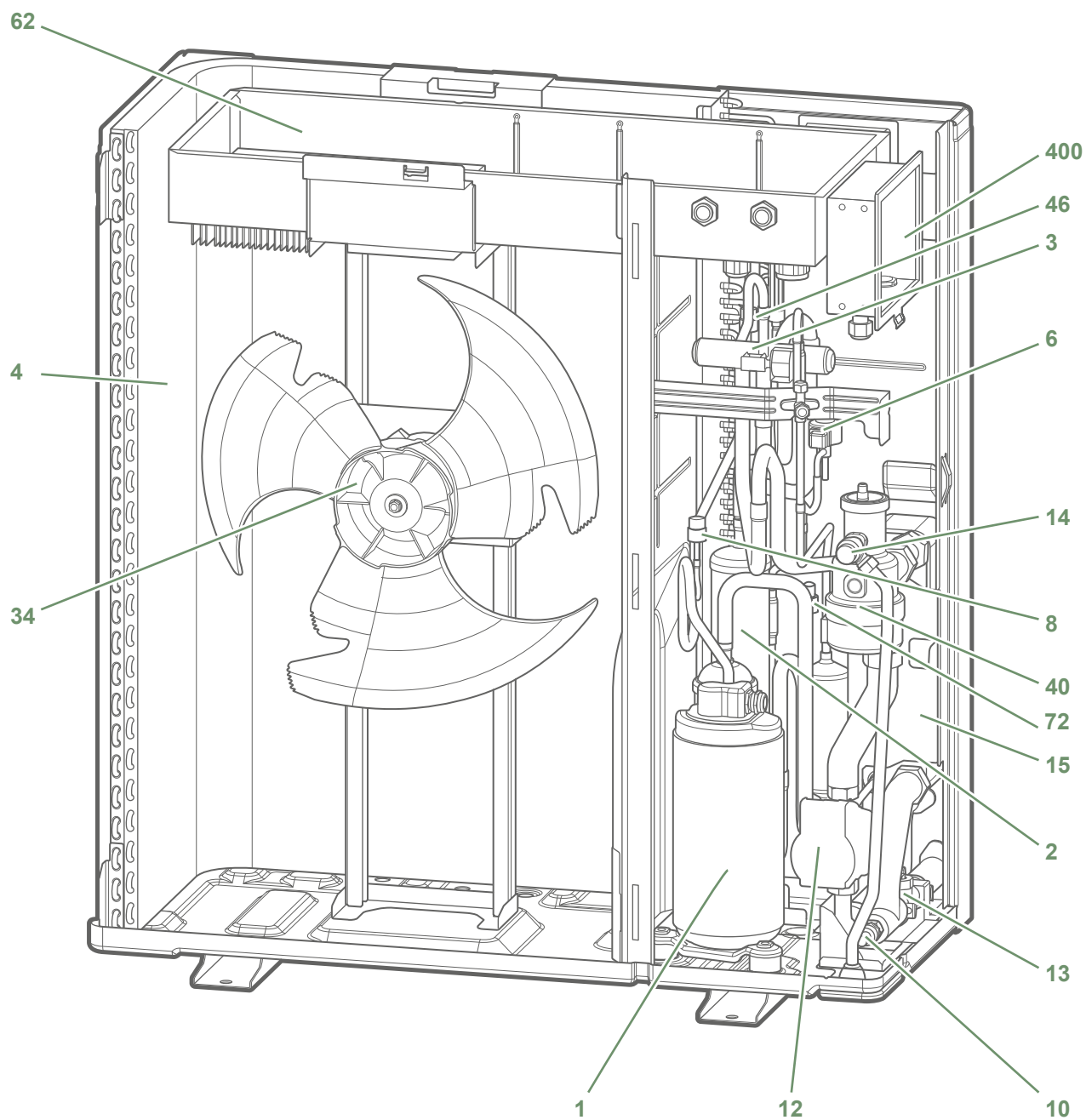
- M 6 - 750796
- M 8 - 750797
- M 10 - 750908
- M 12 - 750909
- M 6TRI - 750928
- M 8TRI - 750929
- M 10TRI - 750930
- M 12TRI - 750931



■ OUTDOOR



⚠	UE MONOBLOC R290 ATLANTIC 6-8	135 kg
	UE MONOBLOC R290 ATLANTIC 10-12	166 kg

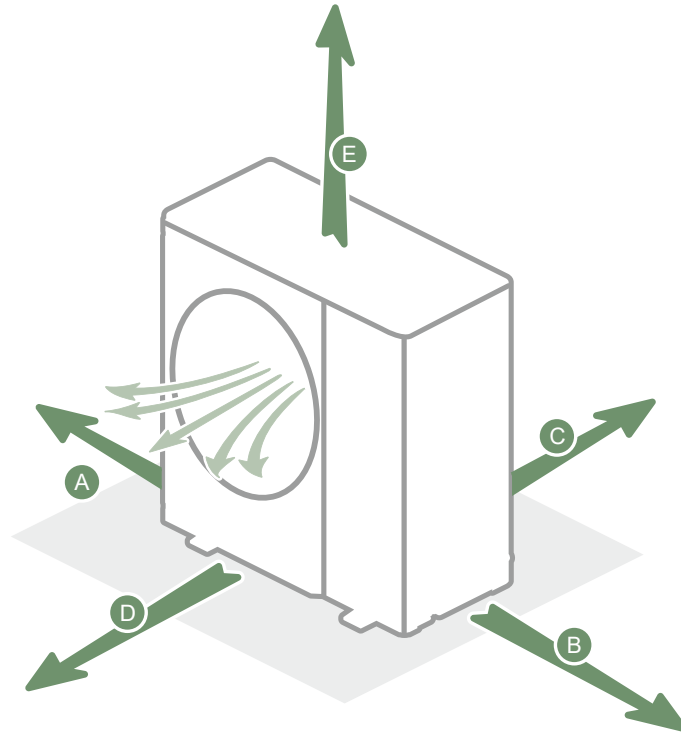


- 1 - Compresseur
- 2 - Accumulateur
- 3 - Vanne 4 voies
- 4 - Échangeur de chaleur (Évaporateur)
- 6 - Détendeur (Vanne d'expansion)
- 8 - Pressostat

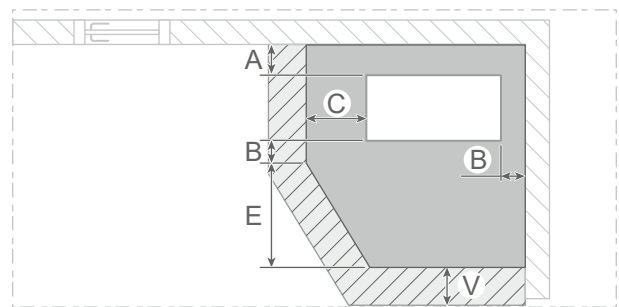
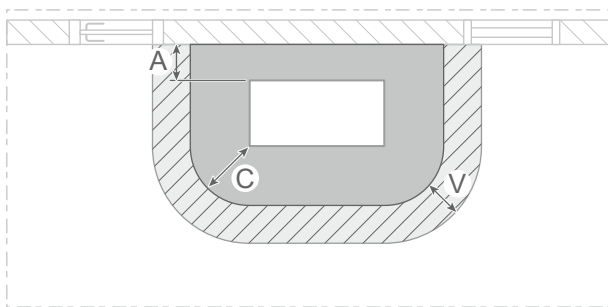
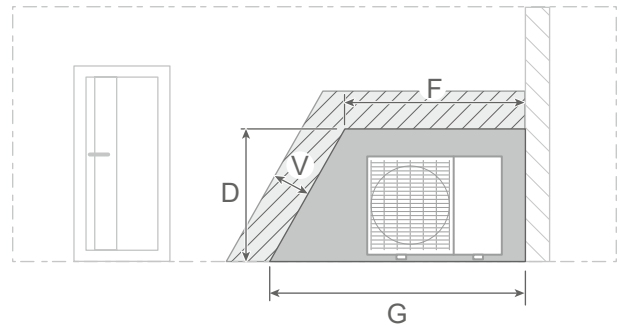
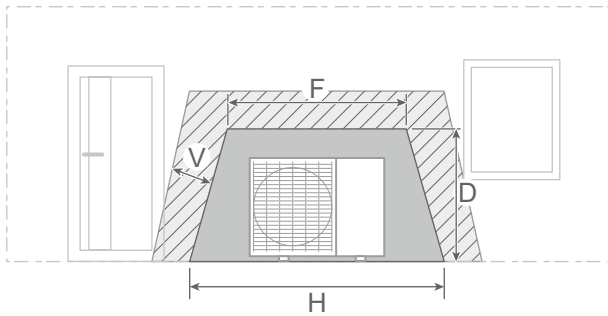
- 10 - Vanne
- 12 - Circulateur
- 13 - Débitmètre
- 14 - Soupape de sécurité
- 15 - Échangeur de chaleur (Condenseur)
- 22 - Purgeur automatique

- 34 - Ventilateur
- 40 - Dégazeur
- 46 - Capteur de pression (haut)
- 62 - Coffret électrique
- 400 - Bornier d'alimentation

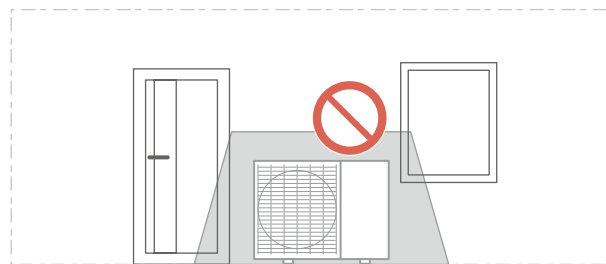
fig. 1 - Organes





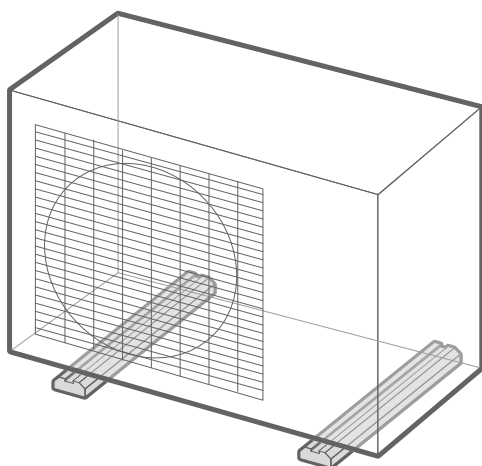
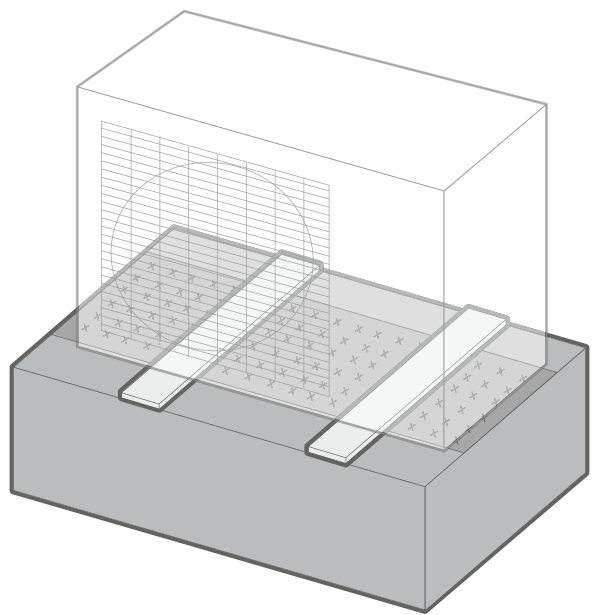
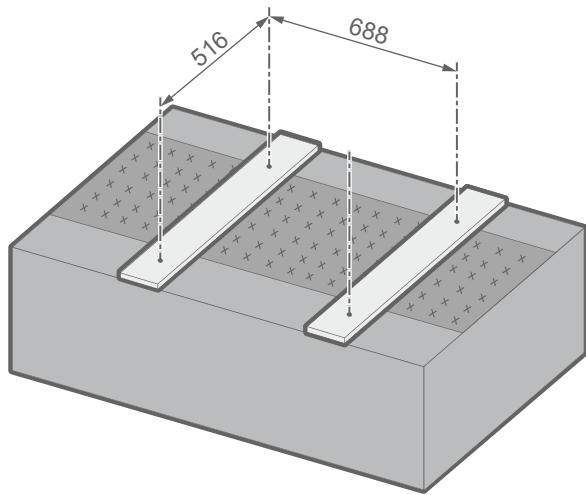
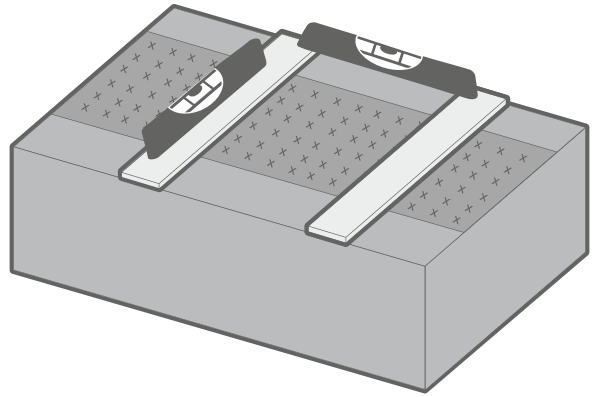
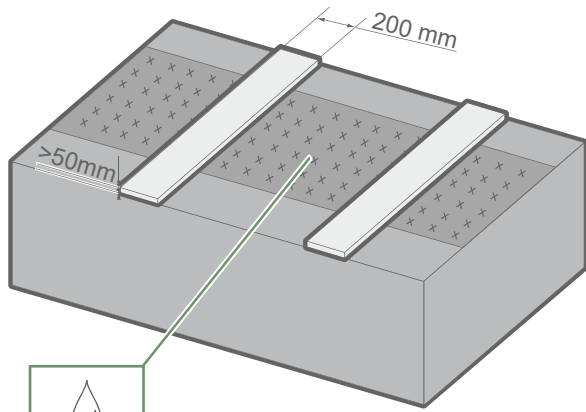
- A : 250 mm
- B : 200 mm
- C : 300 mm
- D : 600 mm
- E : 600 mm

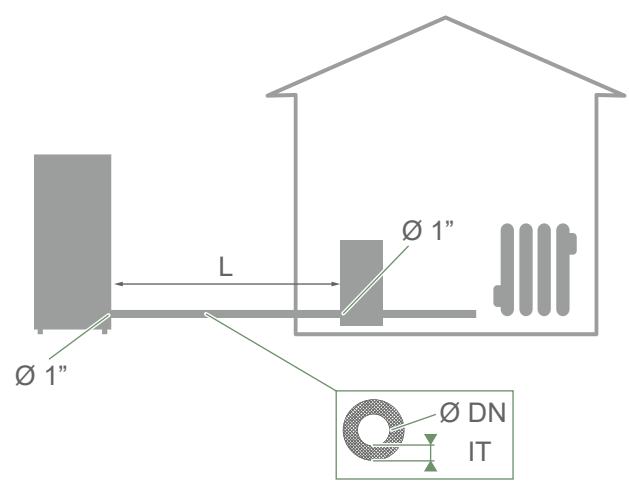
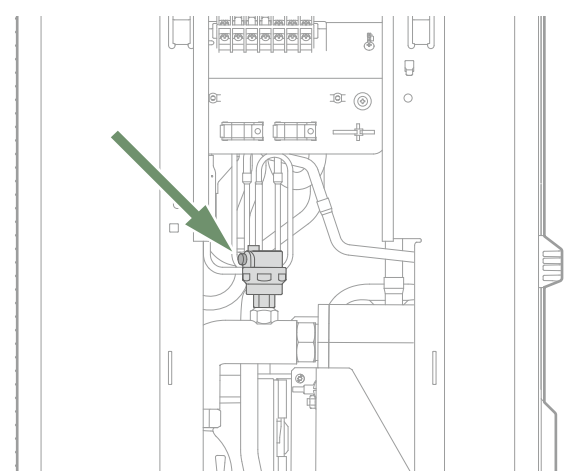
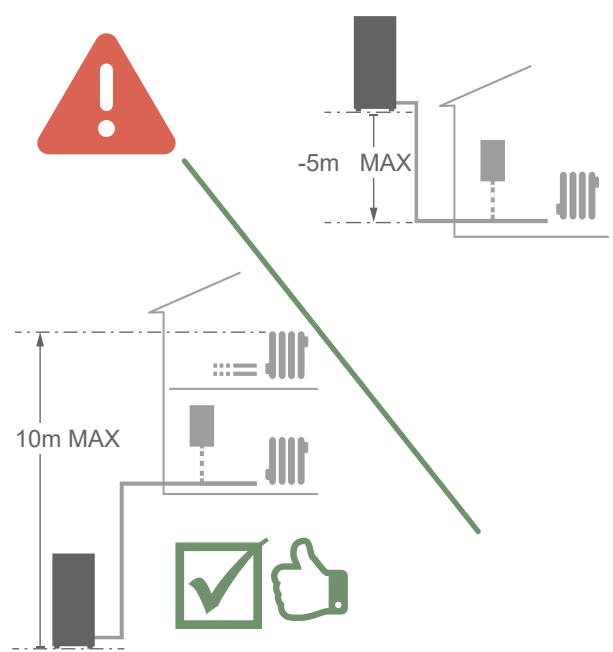
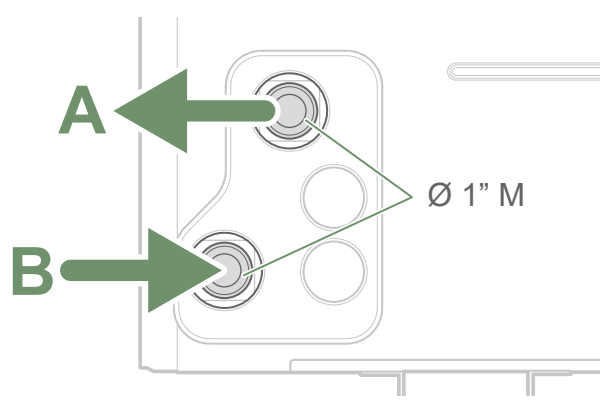
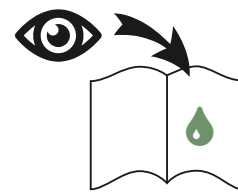


- A : 300 mm
- B : 500 mm
- C : 1 000 mm
- D : 1 500 mm
- E : 1 800 mm
- F : 2 000 mm
- G : 2 500 mm
- H : 3 000 mm
- V : 1 000 mm



 Zone de danger  
 Zone de voisinage

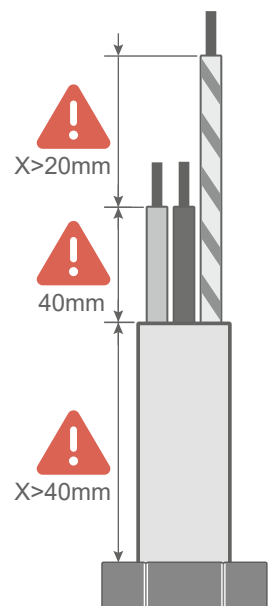
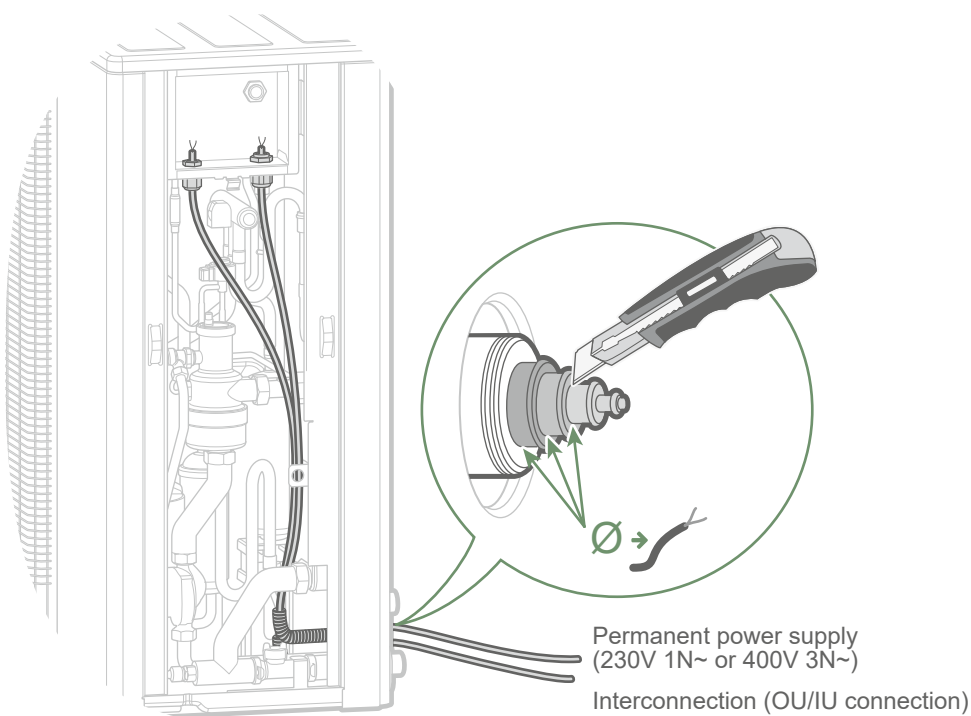
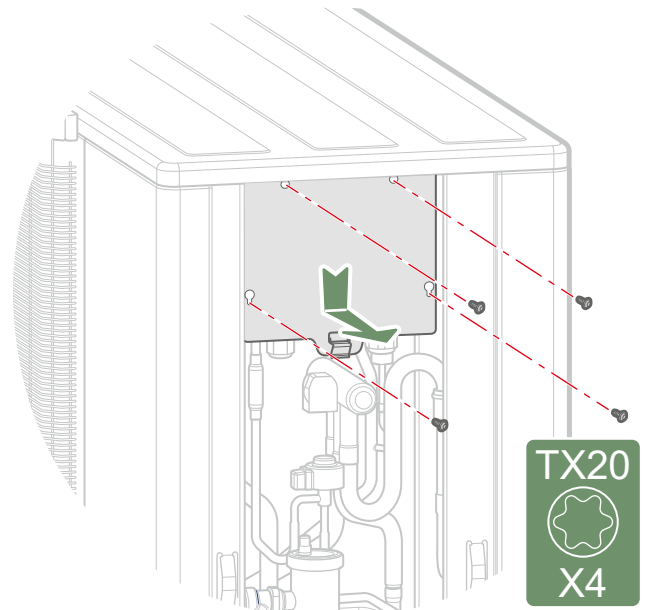
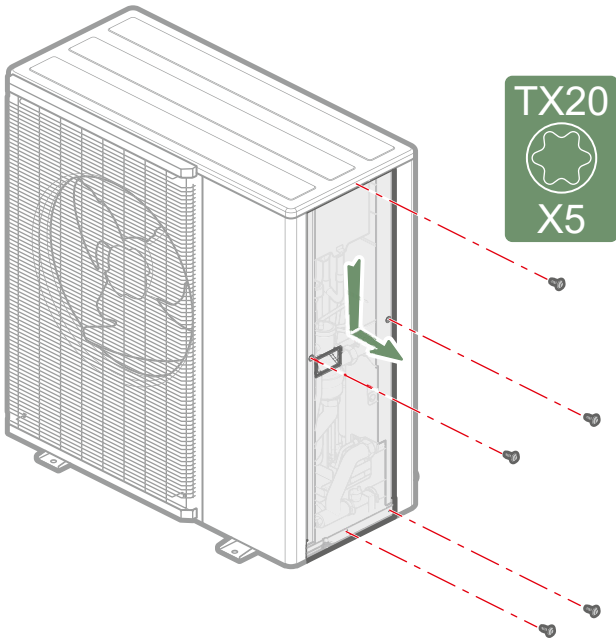
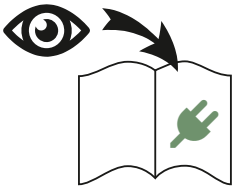




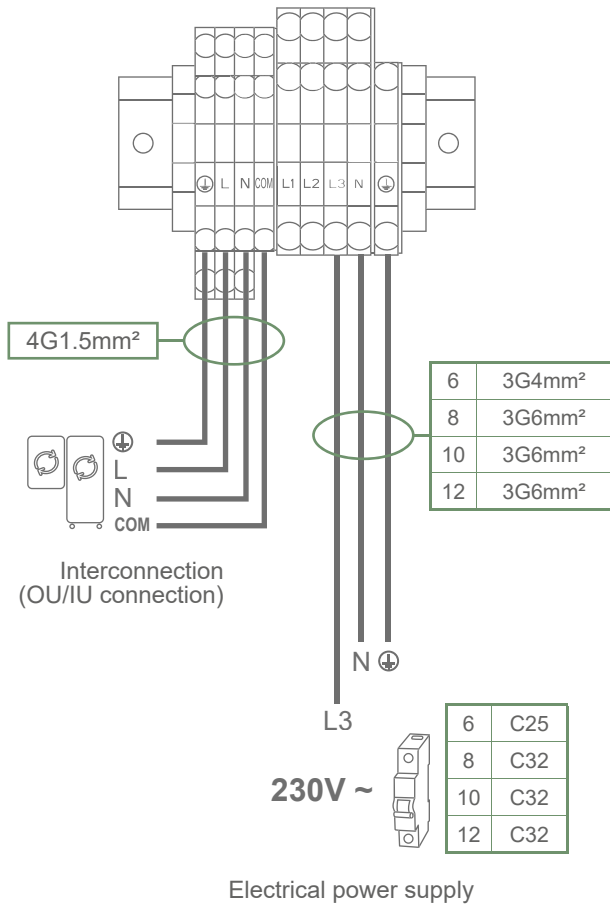
OU/IU distance (L)	0 - 10 m	0 - 20 m	0 - 30 m
Recommended DN	DN20	DN25	DN32



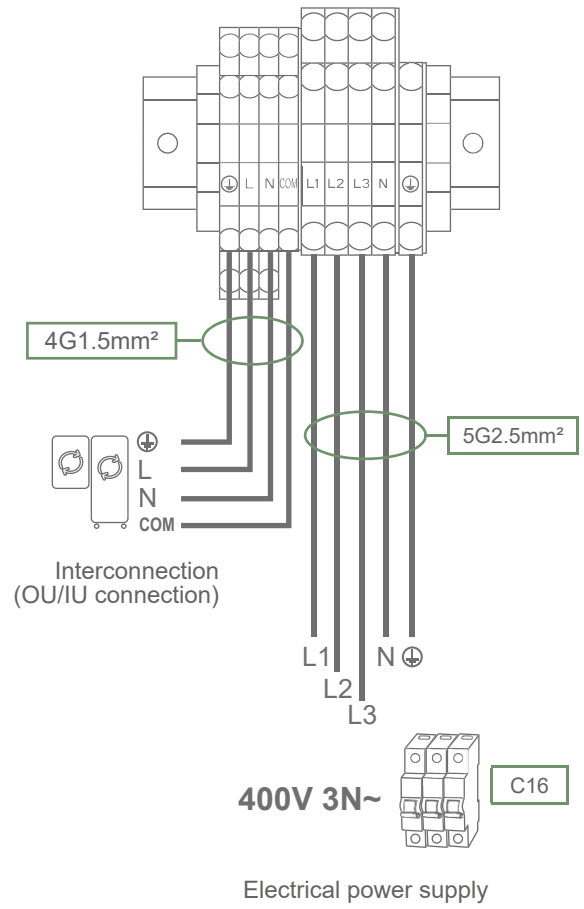
A series of 25 horizontal dotted lines spanning the width of the page, intended for handwriting practice.

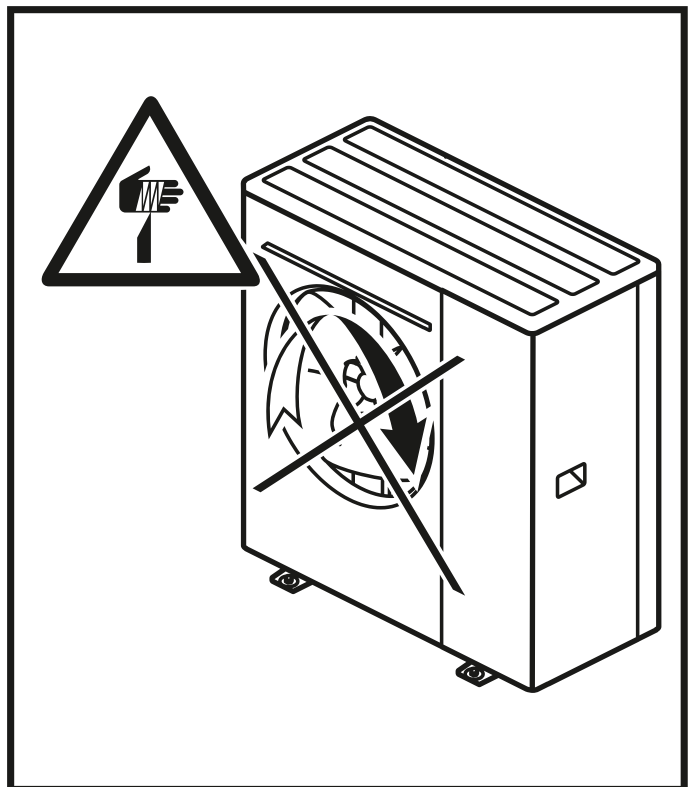
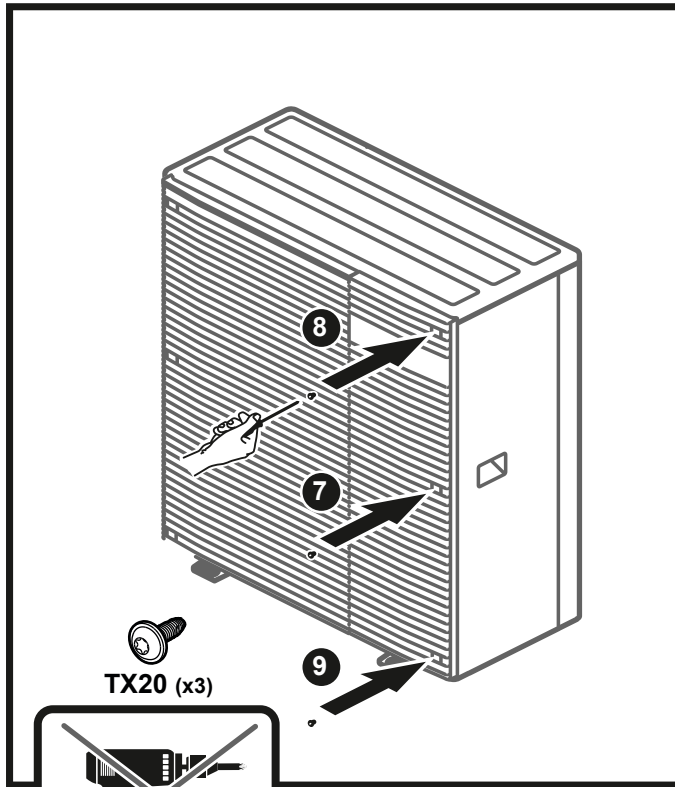
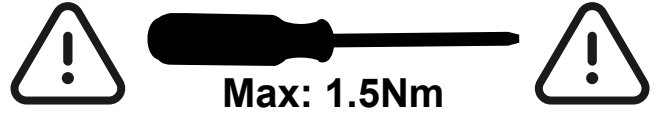
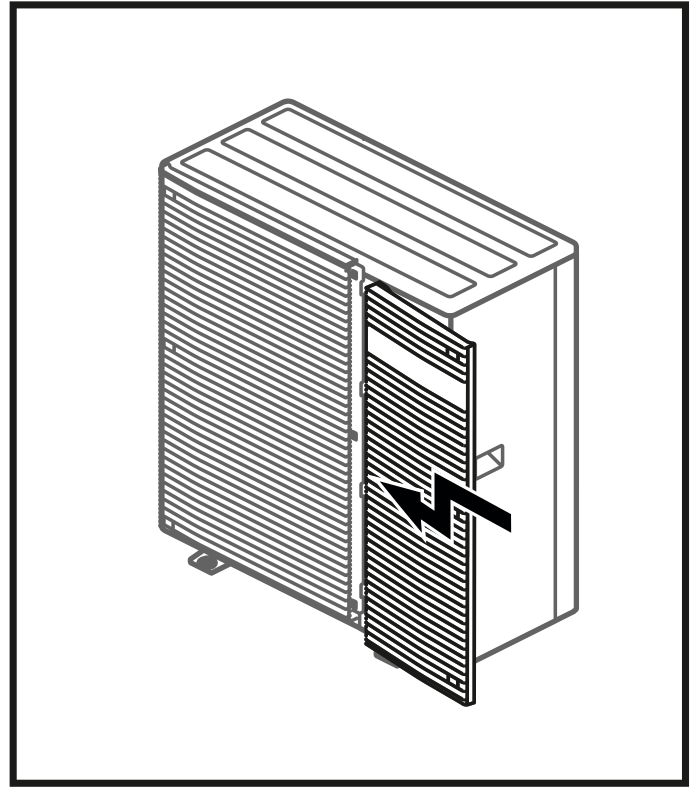
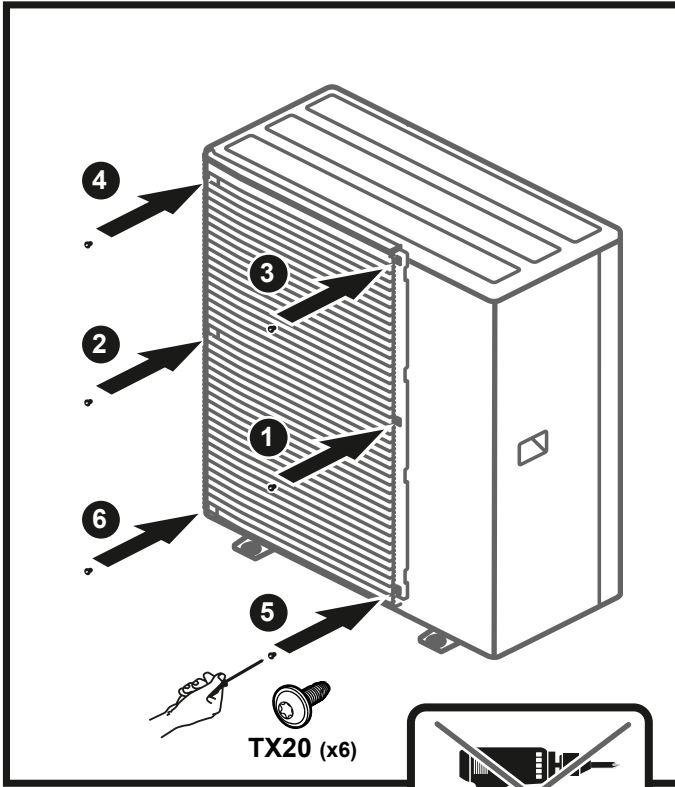


## 230V 1N~



## 400V 3N~







A series of horizontal dotted lines spanning the width of the page, providing a guide for handwriting practice.

Date of installation : :

Contact of your heating technician or your after-sales service.

**CE** are in conformity with the relevant Union harmonized directives and regulations:

- Low Voltage Directive (LVD) - 2014/35/EU
- Machinery Directive - 2006/42/EC
- ElectroMagnetic Compliance (EMC) Directive - 2014/30/EU
- Commission Regulation / Directives - (EU) 811/2013
- Energy labelling ; Ecodesign - (EU) 2017/1369 - 2009/125/EC
- RoHS Directive - 2011/65/EU - (EU) 2015/863
- Pressure Equipment Directive (PED) - 2014/68/EU

Pressure equipment: Compressor (including its accumulator), Pressure switch, Sub-assembly SKD.

Risk Category II, conformity assessment procedure : module A2 (internal production control plus supervised pressure equipment checks at random intervals) by the Notified Body: TÜV Rheinland Industrie Service GmbH, D-51105 Köln (Identification N° : 0035)

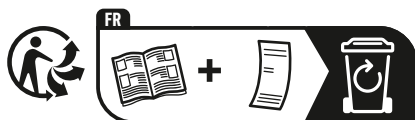


This unit is identified by this symbol. It means that all electrical and electronic products must not be included in household waste.  
 A specific recycling system for this type of product has been set up in European Union countries (\*), Norway, Iceland and Liechtenstein.  
 Do not try to dismantle this product yourself. It may have damaging effects on your health or on the environment.  
 Reprocessing of the refrigerant, lubricant and other parts may be performed by a qualified installer in compliance with the local and national legislation in force.  
 This unit must be recycled by a specialised service and in no case may it be thrown away with household waste, rubble or in a landfill.  
 Please contact your installer or local representative for more .  
 \* Depending on the national regulations of each member state.

The energy label supplied with this heat generator in accordance with Regulation (EU) N°811/2013 concerns the combination of the space heater referenced at the top of this label.

The energy labels of the other possible combinations of space heater with this heat generator are freely available on the site:

<https://eprel.ec.europa.eu/screen/product/spaceheaters>



Points de collecte sur [www.quefairedemesdechets.fr](http://www.quefairedemesdechets.fr)